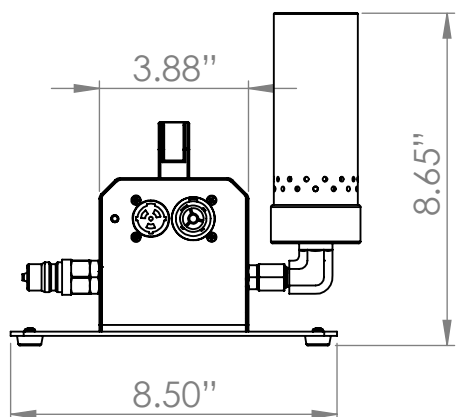




MICRO CO2 JET



APPLICATIONS:

For use with Liquid CO2 (Siphon Tank)
Typical Applications Include:

- Nightclubs
- Music Festivals
- Theme Parks
- Sporting Events
- Graduations
- Weddings

FEATURES:

- Small Footprint (8.5" x 5")
- 20-35FT Output (Depending on Humidity)
- Ventilated Barrel (Clean Output, No Dry Ice)
- Quick Connect CO2 Input
- Adjustable Output Angle
- Truss Mountable (Clamp Mounting Holes)
- Integrated Silencer for Quieter Operation
- Pull Handle for Easy Setup & Portability

OPERATION:

- Triggers via Controllable Power Source
- DMX Relay (Power Pack) Recommended

CONSUMPTION:

- CO2 - Approx 1LB per Second
(Requires Siphon CO2 Tank)

ELECTRICAL:

- 110-120V or 220-240V AC
- 25W Consumption
- Neutrik True1 Input & Output (Linkable)

CONSTRUCTION:

- 18GA Steel Body Components
- Textured Black Powder Coating
- Built & Assembled in USA



MICRO CO2 JET

