



TABLE OF CONTENTS

PRO JET INTRO	1
OVERVIEW	1
FEATURES.....	1
INCLUDED ITEMS.....	2
SAFETY GUIDE	
3-5	
SAFETY RADIUS.....	4
SAFE MOUNTING.....	5
HARDWARE OVERVIEW	6
UNIT REAR	6
HARDWARE SPECIFICATIONS	7
CO ₂ REQUIREMENTS.....	8
CO ₂ SETUP	9
QUICK START DMX GUIDE	10
HOME SCREEN	11
DMX ADDRESSING.....	11
PURGE LINES	12
CO ₂ PASSTHROUGH.....	13
SETUP EXAMPLES	13
DEVICE TROUBLESHOOTING	14
INCLUDED WARRANTY	15
TERMS & CONDITIONS	16
CONTACT US	17

PRO JET INTRO

Congratulations on your purchase of the Pro Jet! This manual will provide an overview of the Pro Jet's functions, capabilities, and instructions for proper operation. If you have questions outside the scope of this manual, feel free to contact us directly.

OVERVIEW

The Club Cannon Pro Jet is a power CO₂ jet that produces 25-30FT plumes of ice cold fog, using liquid CO₂. It is great for DJ's, Touring acts, performers, nightclubs, DJ booths, sporting events, field entrances, theatre productions, weddings, special events and more.

The Pro Jet includes on board DMX control with RDM functionality, CO₂ passthrough, and a purge lines feature.

The Pro Jet requires a Siphon CO₂ tank to operate properly. Due to the volume of CO₂ expelled, the Pro Jet is only meant to be used in well ventilated spaces.

The CO₂ Passthrough feature will allow you to link multiple units together, streamlining the required hose runs. This feature also provides even pressure to each unit in the chain, so all tanks drain equally. Additional info about CO₂ passthrough is outlined later in this manual.



SINGLE JET

25-30FT PLUME
(DEPENDENT ON HUMIDITY)

FEATURES

- Up to 30' Output
- Truss Mountable
- DMX Controlled
- Ventilated Barrel
- Purge Lines Feature
- 1CH Operation
- Integrated Muffler
- LED Display
- Neutrik True1 Input
- Neutrik True1 Output
- Quick Connect Input
- CO₂ Passthrough



NOTICE

Necessary precautions should be taken when using FX products to ensure the safety of the operator, crew, and audience.

Do not operate this product, or any special effects product without proper knowledge and training. Never operate Special Effects Equipment under the influence of drugs or alcohol.

INCLUDED ITEMS

The following items are included with the purchase of each Pro Jet. If you need replacement items, contact Club Cannon, 888-804-8175 / info@clubcannon.com.



PRO JET

DMX Controlled CO2 Jet



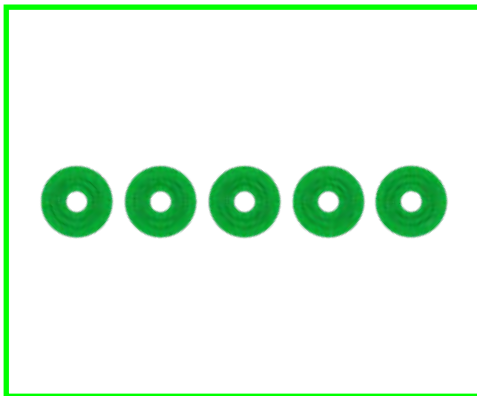
TRUE1 CABLE

6' Edison to True1 cord



CO₂ TERMINATOR

Install on unused quick connect



5 - CO₂ WASHERS

Seals the connection between your CO₂ hose and CO₂ tank



CO₂ ATTACHMENT TOOL

Used to tighten the CGA-320 fitting to your CO₂ tank



CO₂ HOSE

CGA-320 x Quick Connect

SAFETY GUIDE



DANGER

This icon signifies that severe bodily harm or death *will* occur if instructions are not followed.



WARNING

This icon signifies that severe bodily harm or death *may* occur if instructions are not followed.



NOTICE

This icon signifies that mild to moderate injury may occur if instructions are not followed.



CAUTION

This icon signifies product malfunction or damage may occur if instructions are not followed.

To ensure safe operation, user must follow instructions closely. Necessary protocols should be followed when handling and operating Special Effects Equipment and their respective consumables.

- **Never place objects of any kind inside barrels.**
- **Never aim or fire the products at any person or living thing.**
- **This product is meant to be used only in well-ventilated areas.**

When using the products, always follow the safety radius displayed in this manual.

Once the product is attached to the CO₂ tanks and the tanks are turned on, the product, hoses and fittings will be under high pressure. Do not disconnect any fittings or hoses until the tank has been turned off, and the remaining gas has been cleared through the product, depleting all pressure in the system. If a leak is detected, cease use of the product immediately. Never stand directly over unit while under pressure. Jets should be mounted or fixed in a safe place. When using Jets above ground, always use a safety cable in the event the Product's mount or fixture should fail. You must supply the safety cable(s) to use with this product. If you are under 18, you should not be using this product.

PREVENTING SERIOUS INJURY OR DEATH

CO₂ Special Effects are to only be used in well ventilated areas. Failure to do so may result in oxygen displacement.

Maintain a safe distance between Special Effects Products and audience, crew & event staff. Refer to the safety radius outlined in this manual.

Never aim Special Effects Products directly at any person or living thing.

Always fasten tanks to avoid tipping, rocking, or being tampered with. When feasible, keep tanks out of direct sunlight.

Check with officials in local jurisdiction for any permit requirements before operating Special Effects.



WARNING

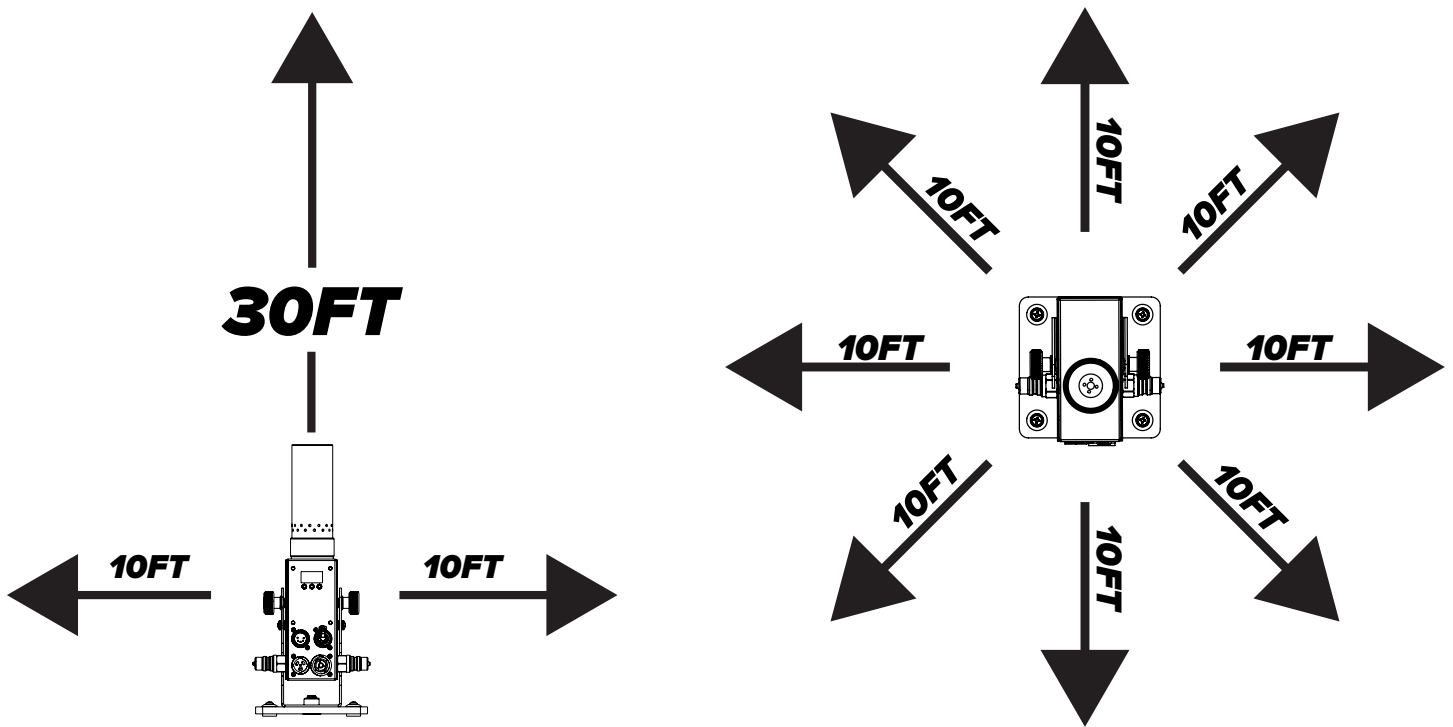
Carbon dioxide is known as an asphyxiant gas. Carbon dioxide poisoning has been linked to various health issues, including central nervous system damage, permanent deterioration of respiratory functions, suffocation or even death. If you have any health concerns that may be related to the Product's use of carbon dioxide, consult your doctor before using any of the Products.

- CO₂ Levels can be measured using a CO₂ Monitor.
- 5,000 PPM is the workplace exposure limit in most jurisdictions.
- Check with your local agency to verify any need for permits in your area.

SAFETY GUIDE

SAFETY RADIUS

The Pro Jet can produce a plume of fog upwards of 30FT/9M. Images below outline the necessary safety radius, which must be observed at all times.



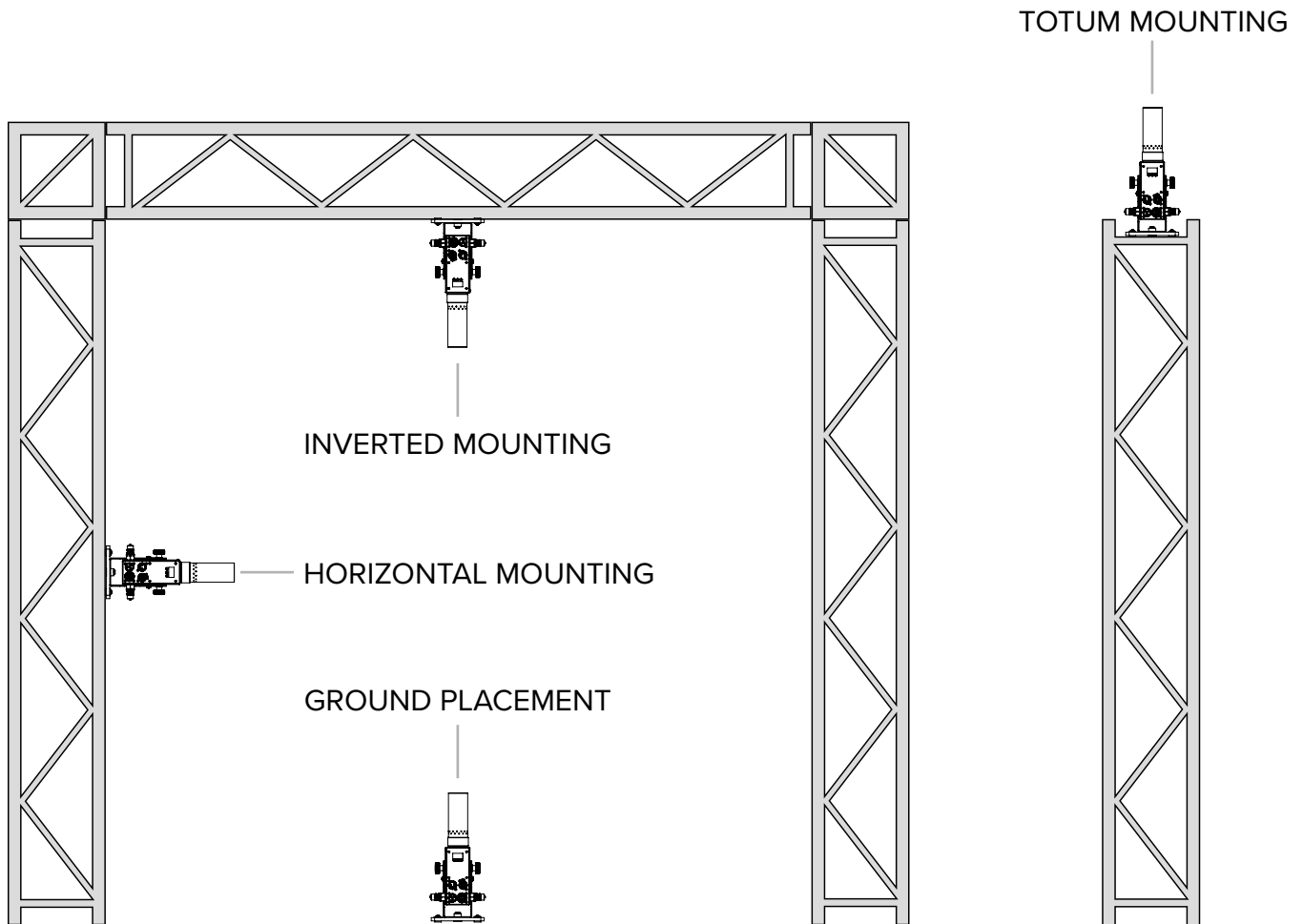
WARNING



Under no circumstance should any person or object be placed inside the displayed safety radius while system is under pressure.

Direct line of sight is required at all times while operating this product. Special care must be taken when performers are near units. Always inform performers, staff and event personnel that may inadvertently enter the safety radius of this product.

SAFETY GUIDE

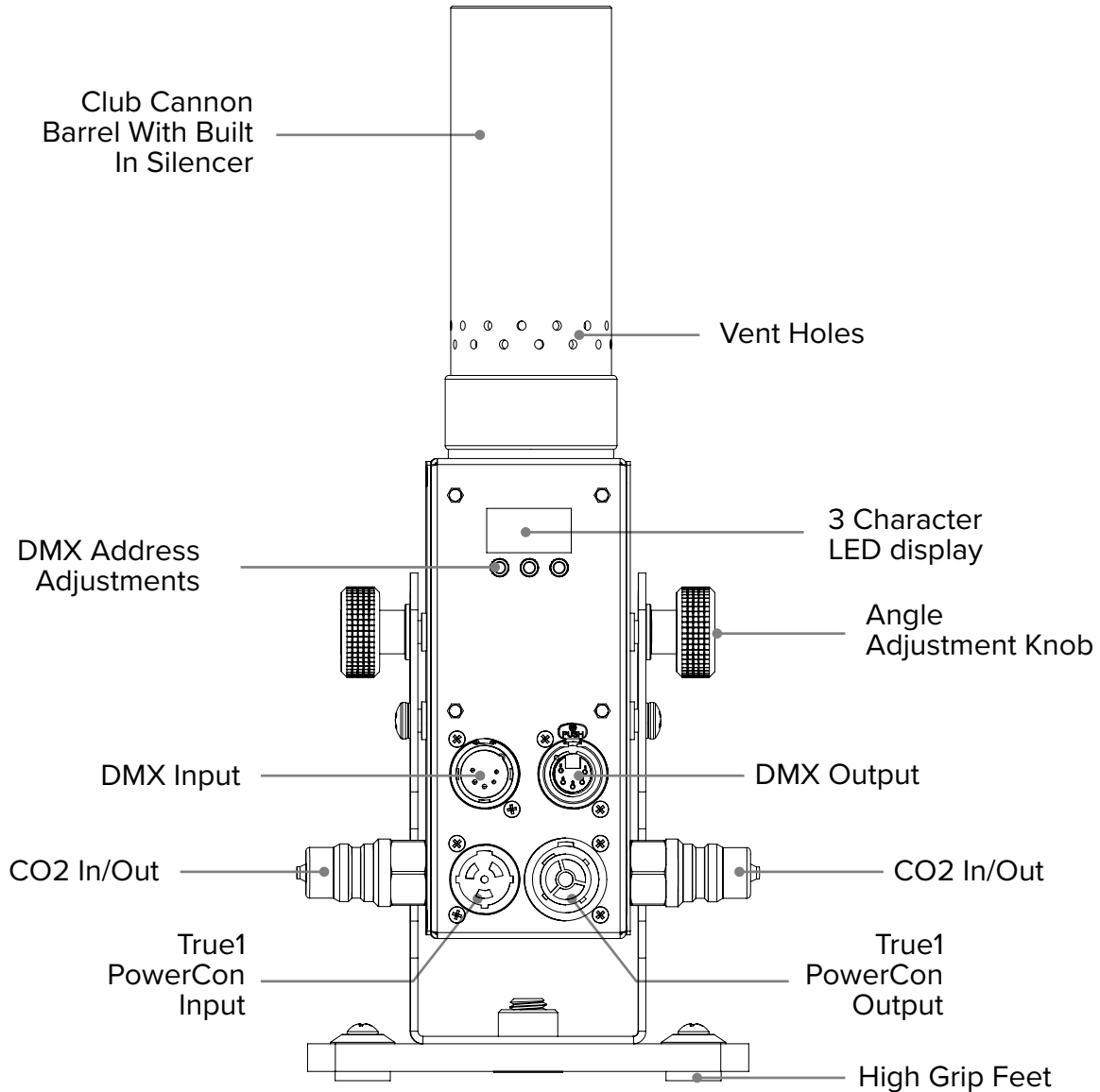
SAFE MOUNTING



<p>GROUND PLACEMENT</p>	<ul style="list-style-type: none"> • Recommended use. 4x feet can be removed to access 1/2” through holes. If necessary, use holes to fasten to a solid surface.
<p>HORIZONTAL MOUNTING </p>	<ul style="list-style-type: none"> • Horizontal mounting requires a solid mounting surface. • If using truss, the structure MUST have adequate ballast to support the weight & recoil force of product. • NEVER mount to flown/hung truss.
<p>INVERTED MOUNTING </p>	<ul style="list-style-type: none"> • Due to the output from this unit, the minimum safety radius must be followed. Unless this is possible to achieve, inverted mounting MUST be avoided. • NEVER mount to flown/hung truss.
<p>TOTUM MOUNTING</p>	<ul style="list-style-type: none"> • Totum mounting can be utilized, provided the user has a secure fastening method of product to totum structure.

HARDWARE OVERVIEW

UNIT REAR



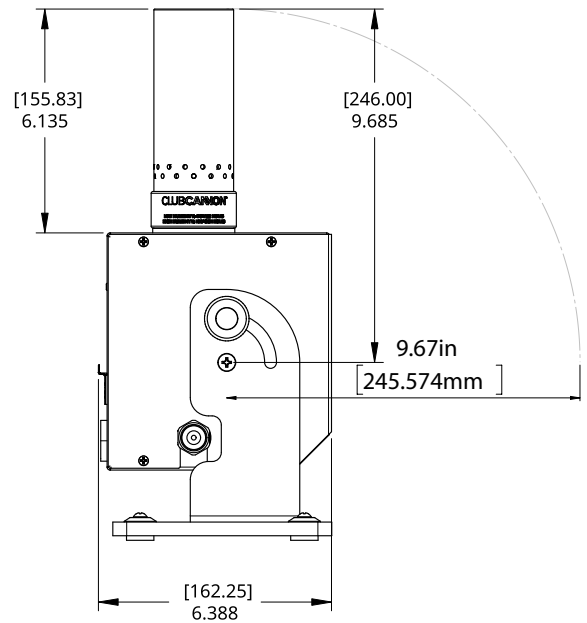
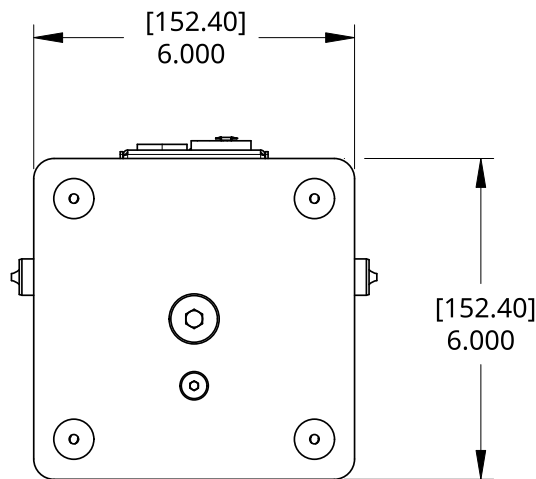
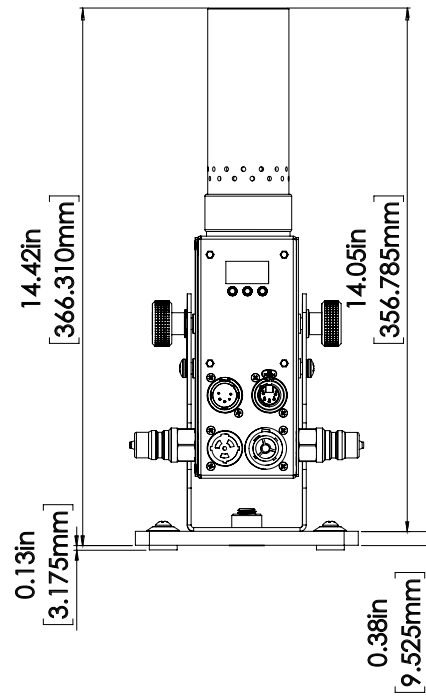
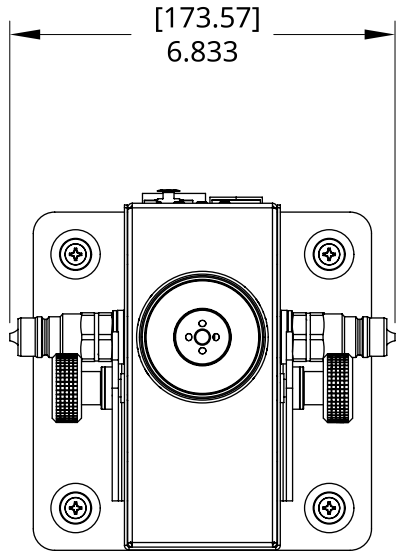
POWER

- This product is available in 2 voltages, marked on unit accordingly.**
- North America - 110-120v AC with included TRUE1 PowerCon cable
 - Worldwide - 220-240v AC with included TRUE1 PowerCon cable

DMX

- NEUTRIK 5 Pin XLR Connectors.
- 1 Channel - Activates output (255 value required for operation).

HARDWARE SPECIFICATIONS



WEIGHT:	11 LBs 4.9 KGs	VOLTAGE:	US - 110-220v AC 50-60hz EU - 220-240v AC 50-60hz
DIMENSIONS:	6" x 6" x 14.5" 152 mm x 152 mm x 368mm	CURRENT:	25W MAX
TRUSS MOUNT:	Remove base and use integrated 1/2-13" nut.	CO₂ CONSUMPTION:	~ 0.83LB / Sec ~ 0.36KG / Sec

CO₂ REQUIREMENTS

SIPHON CO₂ TANK REQUIRED.

Liquid CO₂ is the key to creating large plumes of fog. Gaseous CO₂, which comes from a non-siphon CO₂ tank, will **NOT** create the desired fog effect.

The siphon tube feeds the Club Cannon product liquid from the bottom of the tank, while a standard CO₂ tank draws gas from the top of the tank (see illustration).

If your tank is full, but not producing fog, you most likely have the wrong type of tank. Ask your gas supplier to exchange it for a siphon model. **Once the fog starts to appear thin, your tank is depleted of liquid. It is now time to get a refill.**

HUMIDITY

The effect works best in humid environments. Anytime humidity levels are 25% or below, the fog will appear noticeably thinner. Use the weather app on your phone to check your local humidity level.

TEMPERATURE

To ensure reliable operation of your product, keep tanks out of direct sunlight. Maximum tank temperature is 80 degrees F. When the tank temperature is above 80F, the pressure increases and can affect operation.

Where can I buy CO₂?

CO₂ can be purchased from any local gas or welding supplier.

[Click here to find the nearest MATHESON location.](#)

[Click here to find the nearest PRAXAIR location.](#)

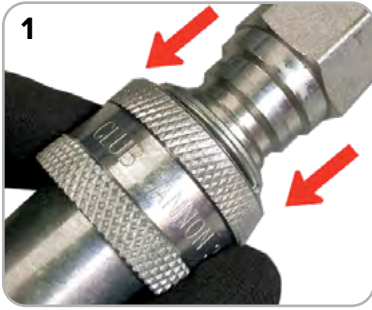
[Click here to find the nearest AIRGAS location.](#)



NOTICE

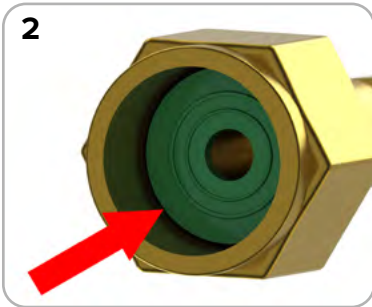
Failure to use a siphon tank will prevent the product from producing the desired effect. If the product is firing clear gas and not fog, this is likely the cause.

CO₂ SETUP



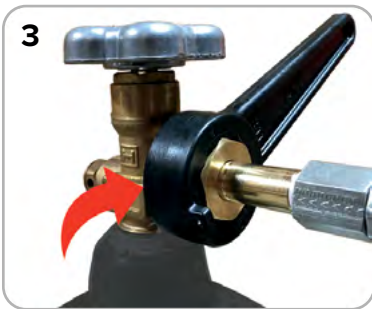
1. Attach the female quick connect fitting on the hose, to the male quick connect fitting on the product. Pull back the sleeve and apply slight force to mate the connectors.

! THIS STEP MUST OCCUR BEFORE PRESSURIZING SYSTEM **!**



2. Place the plastic washer inside the fitting that connects to the tank, then attach the fitting. Tighten with the supplied tool, or any adjustable wrench (1 1/8”).

! FAILURE TO INSTALL WASHER WILL RESULT IN A LEAK **!**



3. Position your CO₂ tank in a nearby location. Make sure the tank is stable, and won't tip over. Tanks should be secured with ratcheting straps or chain to ensure they are secure.

! UNSTABLE TANKS CAN BE EXTREMELY DANGEROUS **!**



4. After attaching and tightening all fittings, turn on your CO₂ tank and check for any leaks. If a leak is present, cease use immediately and contact Club Cannon. Trigger the unit each time you want to release CO₂.

Note: After use, close the valve on the CO₂ tank. Clear the remaining gas through the product, depleting all pressure in the system. Once the product is de-pressurized, you can safely detach the hose from the tank and product.



DANGER

Club Cannon products (the “Product”) are meant to be used to create special effects. Any use of these Products shall be in accordance with the Terms and Conditions presented at the time of sale, and as they appear in this manual. Any misuse or abuse of this Product can be extremely dangerous.

Club Cannon, LLC accepts no responsibility or liability for damages or injuries caused by misuse or abuse of the Product.

QUICK START DMX GUIDE



2. Boot Pro Jet

The Pro Jet accepts AC power through the TRUE1 connector on the rear of the product. Verify correct supply voltage prior to use. Incorrect voltage may cause damage to unit. Rated voltage is marked above the power inlet.



3. Set Addresses

To expedite setup time, we have implemented single digit addressing. Each set of arrows independently controls the above digit. While receiving DMX hold button to unlock first. Note: Only 1 channel triggering is available on this unit.



4. Connect DMX

The last step is to attach a DMX controller like “The Button” or “ShoMaster” to control the Pro Jet. The decimal indicates that the Pro Jet is receiving a DMX signal.



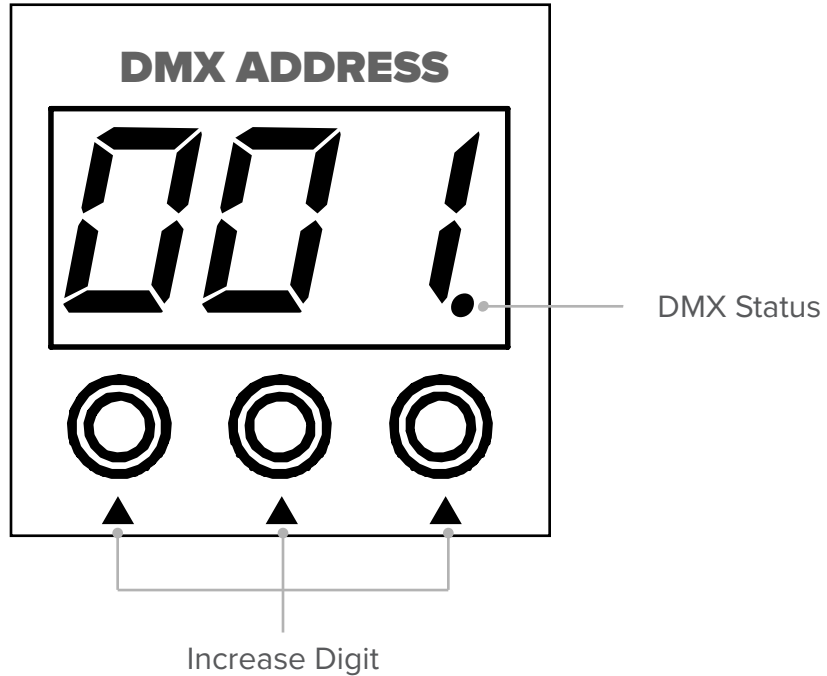
5. Attach Hose

Follow the steps outlined on [CO₂ SETUP GUIDE](#) for proper CO₂ setup.

A CO₂ terminator should be installed on any unused quick connect to prevent leaks and/or CO₂ loss.

HOME SCREEN

This unit features quick access to setting the DMX address. This is the default screen that is shown when the Pro Jet is first powered on.



DMX ADDRESSING



When the Pro Jet is receiving DMX the unit will enter a lockout state. Either removing DMX or holding down a button for 5 seconds will allow readdressing.



While addressing the Pro Jet, there is a 3 second window before the address is store. If the unit is receiving DMX it will re-enter its lockout state.

PURGE LINES

Line purging can be used as a convenience feature at the end of a show. This will allow an operator to clear the remaining CO2 through the hoses and unit without the need of DMX control. Before using the feature, CO2 tanks must be turned off and DMX signal must be disconnected.



Before purging, warn anyone nearby.
Press and hold 2 outer buttons.



There will be a 5 second delay after activating the purge lines feature. This allows the user sufficient time to step away from the unit.



Valve will be opened for 10 seconds.
User can disable purge by pressing any button.



WARNING

Ensure no persons or living thing are inside the safety radius when using the Purge Lines feature. DMX must be disconnected for the Purge Lines feature to be available for use.

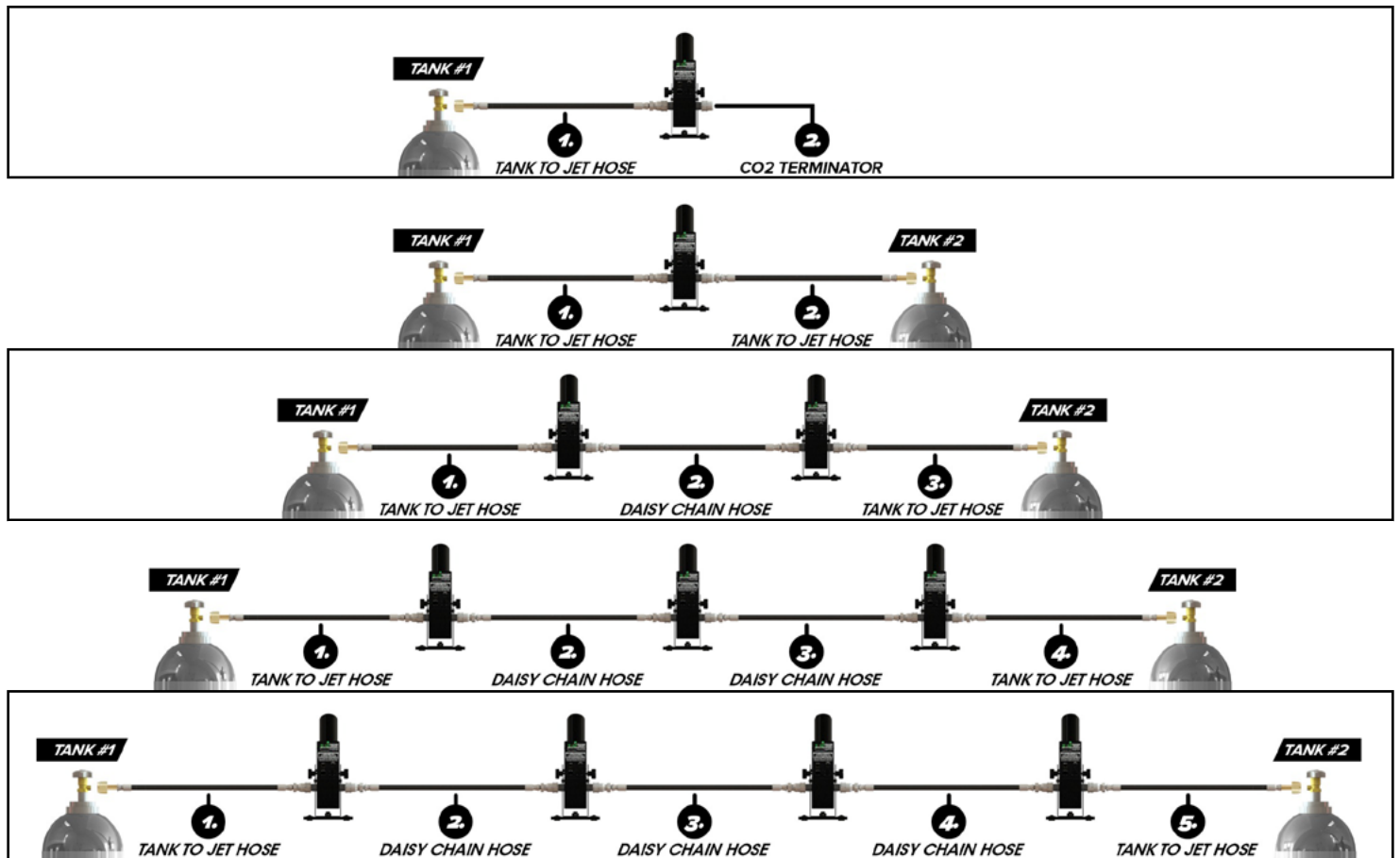
Never handle the product by the barrel, as it will become extremely cold after use. Frostbite can occur if handled improperly. Utilize the load handles for transporting / moving unit.

CO2 PASSTHROUGH

The CO2 Passthrough feature is very useful for supplying CO2 to multiple Pro Jets at once. We recommend feeding CO2 from both sides of your setup, to ensure even pressure throughout the entire system.

- Daisy chain hoses are sold separately. Adapters are available to convert standard hoses to daisy chain.
- For best effect, link all units together throughout and feed CO2 from both sides of system.
- For best performance, we recommend 5FT, 8FT, or 15FT daisy chain hose lengths.
- CO2 terminator should be installed on any unused quick connect to prevent leaks.
- Using CO2 passthrough ensures all tanks drain equally, preventing tanks from deplete out of order.
- Tank sources can consist of multiple tanks - combined with Cylinder Links or a manifold.
- For best performance, limit each loop to 4 units.

SETUP EXAMPLES



DEVICE TROUBLESHOOTING

ISSUE	SOLUTION
Display Blank or Odd Characters	<ul style="list-style-type: none">• Reboot via power cycle.• If issue persists, contact Club Cannon directly.
Unit Resetting While Triggering	<ul style="list-style-type: none">• Make sure power supply is properly grounded.• If no earth ground is present, cease use immediately.
Valves Not Opening Reliably	<ul style="list-style-type: none">• Ensure sufficient voltage & amperage is supplied to unit.• Ensure tanks are not in direct sunlight, causing increased pressure. Tanks should not exceed 80 degrees F to ensure reliable operation.
Leak From Barrel	<ul style="list-style-type: none">• Cease use immediately if any leaks are present.• Contact Club Cannon directly for repair instructions.
Leak From Quick Connect	<ul style="list-style-type: none">• Cease use immediately if any leaks are present.• Ensure no particles or contaminants are present inside the female quick connector. Check for any damage to black O-ring.
Leak From Tank Connection	<ul style="list-style-type: none">• Ensure a CO2 washer has been inserted into the brass CGA-320 fitting prior to connecting to tank. Use included attachment tool to securely fasten the tank connection.
Fog Appears Thin	<ul style="list-style-type: none">• Ensure CO2 tanks have necessary siphon tube installed.• Standard CO2 tanks do not produce the desired effect.• Check relative humidity. Low humidity will have a negative affect on the fog appearance.
Unit Does Not Power On	<ul style="list-style-type: none">• Ensure correct voltage is being supplied to product.• Supplying incorrect voltage will cause permanent damage.• If issue persists, contact Club Cannon directly.

No User Serviceable Parts Inside

If your issue is not listed, or the suggested solution did not solve the issue, contact Club Cannon.

888-804-8175 / info@clubcannon.com

INCLUDED WARRANTY

The Pro Jet includes a 1 year parts & labor warranty against manufacturer defects. Warranty does not cover damage caused by accident, misuse, abuse, alteration, or unauthorized repair. To make a warranty claim, contact Club Cannon directly.



NOTICE

The Pro Jet is an electronic device, sensitive to moisture. To avoid risk of electronic shock, malfunction, or voided warranty, only use in dry environments. Do not operate in harsh weather conditions. Do not block or insert anything into the jet's barrels.

This product should only be used by trained and qualified persons.

Club Cannon, LLC accepts no liability or responsibility for misuse or abuse of this product, nor any liability or responsibility of the products being used with the ShoMaster.

TERMS & CONDITIONS

Use of the Club Cannon® products is subject to the following Terms and Conditions:

Club Cannon® products (collectively, the “Product” or “Products”) are not toys. Any misuse of the Products could be extremely dangerous. Club Cannon® Products use carbon dioxide under high pressure to create special effects similar to a fog machine. They are not air cannons and should not be used to shoot projectiles in any fashion. Never place objects of any kind inside the barrel. Never aim or fire the Products at any person or living thing. Never hit any person or object with any of the Products. The Products are meant to be used only in well-ventilated areas. When using the Products, make sure you are in an open field or a well-ventilated area and are at least fifteen (15) feet away from people or other living things. Never hold a Club Cannon® Product by the barrel, especially after it has been used as it becomes extremely cold. Once the Product is attached to the CO₂ tank and the tank is turned on, the gas passing through the Product will be under pressure. Do not disconnect the fitting connecting the hose to the Product until the tank has been turned off and the remaining gas has been cleared through the product, depleting any pressure in the systems components. Stationary Club Cannon® units (collectively, the “Jets”) should be mounted or fixed in a safe place. When using the Jets above the ground, always use a safety cable in the event the Product’s mount or fixture should fail for any reason. You must supply the safety cable(s) to use with the Jets. If you are under 18, you should not be using the Products.

Carbon dioxide is known as an asphyxiant gas. Carbon dioxide poisoning has been linked to various health issues, including central nervous system damage, permanent deterioration of respiratory functions, suffocation or even death. If you have any health concerns that may be related to the Product’s use of carbon dioxide, consult your doctor before using any of the Products. To the extent you may have problems with your back, consult your doctor before using any of the Products in a portable fashion (such as, for illustration purposes only, using the Club Cannon® CO₂ Tank Backpack).

You must supply the carbon dioxide tank to use with the Products. Club Cannon, LLC, a California limited liability company (the “Company”), accepts no responsibility for claims, damages, losses or injuries arising from the tank or any malfunction thereof.

Acknowledging the foregoing, you voluntarily assume all risks associated with the use of the Products with the full knowledge and appreciation of the risks involved.

The Company disclaims any liability for product defect claims that are due to misuse, improper product selection and/or misapplication of the Products. The Company offers a limited one year, (365) day warranty for each of the Products. If, during the ninety (365) day warranty period (the “Warranty Period”), which shall commence on the original purchase date, a specific component of the Product fails, the Company will repair or replace it at no cost to you. Notwithstanding the foregoing, the purchaser is responsible for all shipping charges associated with sending the Product to the Company for repair and for its return to the purchaser. If, however, any component of the Product fails after the expiration of the Warranty Period, the warranty coverage does not extend to those components or to any damage they may cause. After the expiration of the Warranty Period, the Company shall not be responsible for the performance of the Products, including any component(s) that were repaired or replaced. This limited warranty shall not apply to failure caused by accident, alterations, misuse or abuse of the Products. This warranty is not transferrable. At all times, the purchase price of the Products shall be nonrefundable. Notwithstanding the foregoing, the Company may, in its discretion, accept the return of a new, unused Product in re-saleable condition subject to a twenty-five percent (25%) restocking fee and payment by the purchaser of all shipping charges associated with the return of the Product to the Company. If the Company determines, in its reasonable discretion, that the returned Product has been used, no refund shall be issued to the purchaser.

The Products are provided on an “as is” with all faults basis and with no warranty except the express warranty set forth above. To the maximum extent permissible by law, the Company disclaims all other warranties, including, but not limited to, the implied warranty of merchantability and the implied warranty of fitness for a particular purpose. The use of the Products is at the sole risk of the user. Under no circumstances shall the Company, its members, managers, officers, agents, employees, successors or assigns be liable for any injuries or damages whatsoever to any person or property arising from the use of the Products, which shall include, but not be limited to, consequential, incidental, special, exemplary or punitive damages. To the maximum extent permissible by law, the Company’s liability in all events is limited to, and shall not exceed, the purchase price paid for any Product that gives rise to any liability.

Excluding any services provided to you by the Company under a separate written agreement, these Terms and Conditions constitute the entire agreement between you and the Company regarding the use of the Products and supersede any and all previous and contemporaneous oral and written agreements between you and the Company regarding your use of the Products.

Club Cannon® and its associated logo are trademarks of the Company. You may not use any of the Company’s trademarks or logos without the Company’s prior written consent. Unless otherwise noted, all materials, including but not limited to the Company’s Web site(s), all articles, text, graphics, logos, images, illustrations, designs, icons, photographs, video clips, audio clips, all menu pages, underlying HTML code, and software that is part of the Web site(s), are protected under copyright laws and are the trademarks, trade dress and/or other intellectual properties owned, controlled or licensed by the Company or are otherwise part of the public domain.

The Company’s Web site(s) (excluding linked sites) is controlled by the Company from its office within the State of California, U.S.A. By accessing the Web site(s) and/or purchasing the Products, you and the Company agree that all matters relating to your access to, or use of, the Web site(s) and/or the Products shall be governed by the statutes and laws of the State of California, without regard to conflicts of laws principles. You and the Company also agree and hereby submit to the exclusive personal jurisdiction and venue of the Superior Court of San Luis Obispo County and the United States District Court for the Central District of California with respect to such matters. Those who choose to access the Web site(s) and/or purchase the Products from locations outside California shall be responsible for compliance with local laws, if and to the extent local laws are applicable. Notwithstanding the foregoing, you agree that the Company shall still be allowed to apply for injunctive relief (or an equivalent type of urgent legal relief) in any jurisdiction.

Except for any claim seeking the exercise of the injunctive or equitable powers of a court of competent jurisdiction, any action to enforce or interpret this Agreement, or to resolve disputes with respect to this Agreement, shall be settled by arbitration in accordance with California Code of Civil Procedure Sections 1280 through 1294.2 and any successor provisions thereto. The provisions of California Code of Civil Procedure Section 1283.05 regarding the right to take depositions and obtain discovery shall apply to the arbitration. Arbitration shall be the exclusive dispute resolution process. Any party may commence arbitration by sending a written demand for arbitration to the other parties. Such demand shall set forth the nature of the matter to be resolved by arbitration. The place of arbitration shall be in the County of San Luis Obispo, California. The substantive law of the State of California shall be applied by the arbitrator to the resolution of the dispute. The parties shall share equally all initial costs of arbitration. The prevailing party shall be entitled to reimbursement of attorneys’ fees, costs, and expenses incurred in connection with the arbitration. All decisions of the arbitrator shall be final, binding, and conclusive on all parties. Judgment may be entered upon any such decision in accordance with applicable law in any court having jurisdiction thereof. The arbitrator (if permitted under applicable law) or such court may issue a writ of execution to enforce the arbitrator’s decision.

If, for any reason, a court of competent jurisdiction finds any provision of these Terms and Conditions, or portion thereof, to be unenforceable, that provision shall be enforced to the maximum extent permissible so as to effect the intent of the Company as reflected by that provision, and the remainder of these Terms and Conditions shall continue in full force and effect. Any failure by the Company to enforce or exercise any provision of these Terms and Conditions or related rights shall not constitute a waiver of that right or provision.

If any legal proceeding, arbitration or other action is brought or threatened for the enforcement or interpretation of these Terms and Conditions, or because of an alleged dispute, breach, default or misrepresentation in connection with any of the provisions of these Terms and Conditions, and the prevailing party in any such action(s) should incur any legal fees, including, but not limited to, attorneys’ fees, paralegal fees, expert witness fees and other similar costs, the successful or prevailing party or parties to any such dispute or action shall be entitled to recover their reasonable attorneys’ fees and additional legal costs incurred, together with any other relief to which they may otherwise be entitled, as determined by an arbitrator, judge at trial, or upon appeal or petition.

The Company may make changes to these Terms and Conditions from time to time. When changes are made, the Company will post a new version of the Terms and Conditions on the Web site(s) and enclose a copy of the then-applicable Terms and Conditions in future purchases of the Products.

CONTACT US



CLUBCANNON®

856 Ricardo Ct, San Luis Obispo, CA 93401

888-804-8175

info@clubcannon.com ● www.clubcannon.com