

# THE BUTTON

**THE BIG RED BUTTON, BETTER THAN EVER.**

The Button introduces new capabilities in a compact & simple form factor.

**Built specifically for FX operators, the button will provide precise control of Special Effects Equipment of all kinds. CO2 Jets, Confetti Blowers, Streamers, Fog, Haze & more.**



**RGB LEDS**  
ENDLESS COLOR POSSIBILITIES.



**30+ PRESETS**  
PLENTY TO CHOOSE FROM.



**LIVE ANIMATIONS**  
REAL TIME INPUT FEEDBACK.



**DMX RANGE**  
CONTROL ANY STRING OF DMX512.



**FLAT BUTTON**  
THE FIRST OF ITS KIND.



**CO2 TIMER**  
ACCURATE TANK LEVELS.

# THE BUTTON

## TRACK TANK LEVELS

The built-in timer feature will track CO2 usage, giving you an accurate estimate of tank levels. Never again have to guess when you will run out of CO2! The timers can also be utilized to track consumable usage for other FX products that rely on consumables, as well as a reference for cues calling for a specified duration.

## TAKE CONTROL OF YOUR FX.

Cut Mode allows a time limit to be set, great for limiting the amount of use for a particular act. This is also useful for preventing operator from triggering the effect once tanks are depleted. When the timer runs out, The Button's DMX output will be disabled until the timer is refilled, or cut mode is disabled.

## FULLY CUSTOMIZABLE

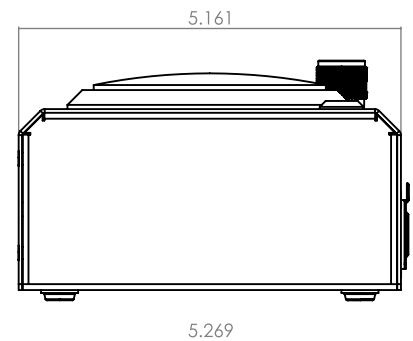
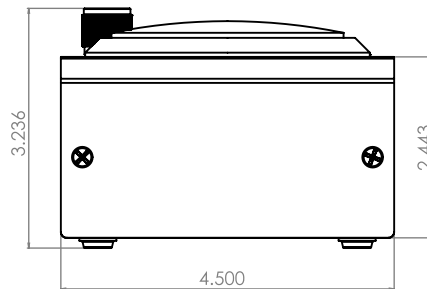
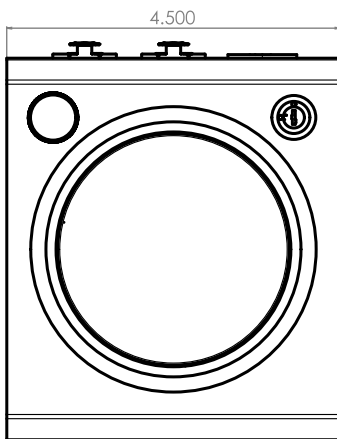
By default, The Button will output DMX channel 1 @255, however, the range of channels can be adjusted by the user. The Button has 30+ preset colors/looks to choose from. If you need a specific color, utilize the custom color setting and assign your desired RGB values.

## DMX CONTROLLER AT IT'S HEART

Select a custom starting & ending DMX address, allowing the user to control any string of DMX channels, 001-512. A safety channel can also be assigned to be triggered whenever the key is in the on position.

**Note:** Only one DMX port can be used at a time.

# CONTROLLER SPECIFICATIONS



<b>WEIGHT:</b>	1.75LB 0.8KG	<b>VOLTAGE:</b>	110-240v AC 50-60hz
<b>DIMENSIONS:</b>	4.5" W x 5.25" L x 3.25" H	<b>CONSUMPTION:</b>	5W