



THE BUTTON

User Manual

VERSION 1.5
JAN 2023

THE BUTTON INTRO

Congratulations on your purchase of The Button Special Effects Controller. This manual will provide an overview of The Button functions, capabilities, and instructions for proper operation. If you have questions outside the scope of this manual, feel free to contact us directly.

OVERVIEW

Built specifically for FX operators, the button will provide precise control of Special Effects Equipment of all kinds. CO2 Jets, Confetti Blowers, Streamers, Fog, Haze & more.

The built in timer allow you to track CO2 usage, taking the guess work out of tank changeovers. The timers can also be utilized for other FX products that rely on consumables, or a reference for cues calling for a specified duration.

The Button introduces new capabilities in a compact & simple form factor. Designed from the ground up to provide an intuitive, capable dmx control solution for special effects equipment of all kinds.

FEATURES

- RGB LEDs
- Color Presets
- DMX Range
- CO2 Timer
- LED Ring
- Display Options
- Cut Mode
- LED Mode
- Button Animations
- Link Mode

WARNING



The Button is designed to be a simple, intuitive control solution for Special Effects Equipment. Necessary precautions should be taken when using FX products to ensure the safety of the operator, crew, and audience.

Do not operate this product, or any special effects product without proper knowledge and training. Never operate Special Effects Equipment under the influence of drugs or alcohol.

INCLUDED ITEMS

The following items are included with the purchase of The Button. If you need replacement items, contact Club Cannon, 888-804-8175 / info@clubcannon.com.



THE BUTTON

Special effects controller with 3 & 5 pin DMX output.



TRUE1 CABLE

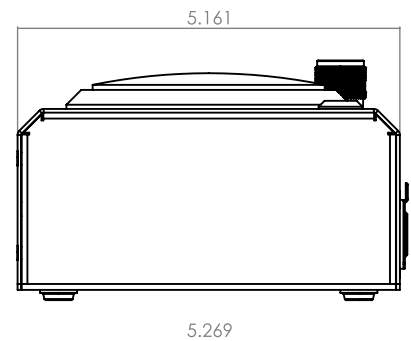
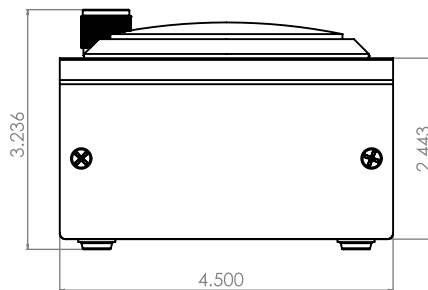
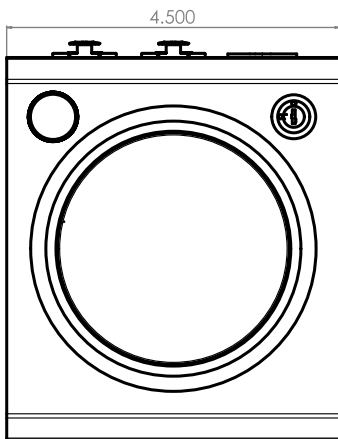
Nema 5-15 to True1
16/3 AWG



SAFETY KEYS

Used to arm / disarm
The Button

CONTROLLER SPECIFICATIONS



WEIGHT:	1.75LB 0.8KG	VOLTAGE:	110-240v AC 50-60hz
DIMENSIONS:	4.5" W x 5.25" L x 3.25" H	CONSUMPTION:	5W

MENU OVERVIEW

CO₂ TIMER

FILL

Utilize the integrated timer when triggering products that rely on consumables. The timer feature can also be useful when cues call for a specific duration.

On average, CO₂ Jets consume 0.75 - 1LB of CO₂ per second of output. The values below can be used as a comfortable estimate of runtime before the tank is depleted of liquid CO₂:

20LB TANK - 24 SECONDS

50LB TANK - 60 SECONDS

35LB TANK - 42 SECONDS

75LB TANK - 90 SECONDS

These values represent estimated runtime for 1 tank to 1 Jet. When using multiple tanks / jets, use this equation:

TOTAL TANK TIME ÷ NUMBER OF PRODUCTS = RUNTIME

for example, if you have 6 x 50LB tanks, and 4 jets pulling from that tank pod;

$$6 \times 60 \div 4 = 90$$

SCREEN OPTION

Screen

When a timer is not required, user can elect to display a preset word, or disable the screen entirely by selecting “_ _ _ _”. Available preset words are: GO, CRASH, FIRE, SHOCK, or blank.

DMX RANGE

Addr

Default DMX output is CH1 @ 255. User can adjust the starting & ending DMX address. Any range from 001-512 is acceptable. Channels in range are triggered @ 255 by default. The DMX range's output value can be modified via URL.

CUT MODE

CUT

While Cut Mode is enabled, the button will function as usual until the timer reaches 0. At that point, DMX output will be deactivated until the timer is reset or Cut Mode is disabled. This allows you to control usage as needed.

LINK MODE

PAIR

When activated The Button can be configured and controlled by a SHO controller. SHO controller detection happens when The Button is powered on.

MENU OVERVIEW

SAFETY CHANNEL

SAFE

Some effect units may require a secondary DMX channel that is set to a specific value in order to activate output. This channel is often referred to as a safety channel, and is separate from the trigger channel. Utilizing this feature will allow the user to set a DMX channel to a desired value. This channel will activate & output DMX when the key is in the "ON" position.

LED MODE

Addr > LED

Designed to work with Club Cannon LED Attachments, but may work with other fixtures. When active, the 3 channels following your start address will be adjustable via rotary encoder, allowing operator to set LED colors on the fly. The Button's colors will correspond to the output color.

LED SETTINGS

LED

LED SETTINGS

LED > COLr

The Button has 30+ preset looks to choose from. There is also 1 custom color that can be set via RGB settings. (LED > COLr > CUsT)

ADJUSTIBLE ANIMATIONS

LED > FADE

User can adjust the pulse speed when armed, as well as the active output animation speed. LED > FADE > P = Pulse, R = Animation.

LED RING

LED > r ING

The LEDs can act as a gauge if desired. The LEDs work in conjunction with the timer to act as a fill meter. By default, the LED ring is disabled.

BUTTON BRIGHTNESS

LED > GLD

Adjustable brightness setting, 0-100%. When armed, LEDs will default to 100% brightness and fade in & out, indicating it's armed state.

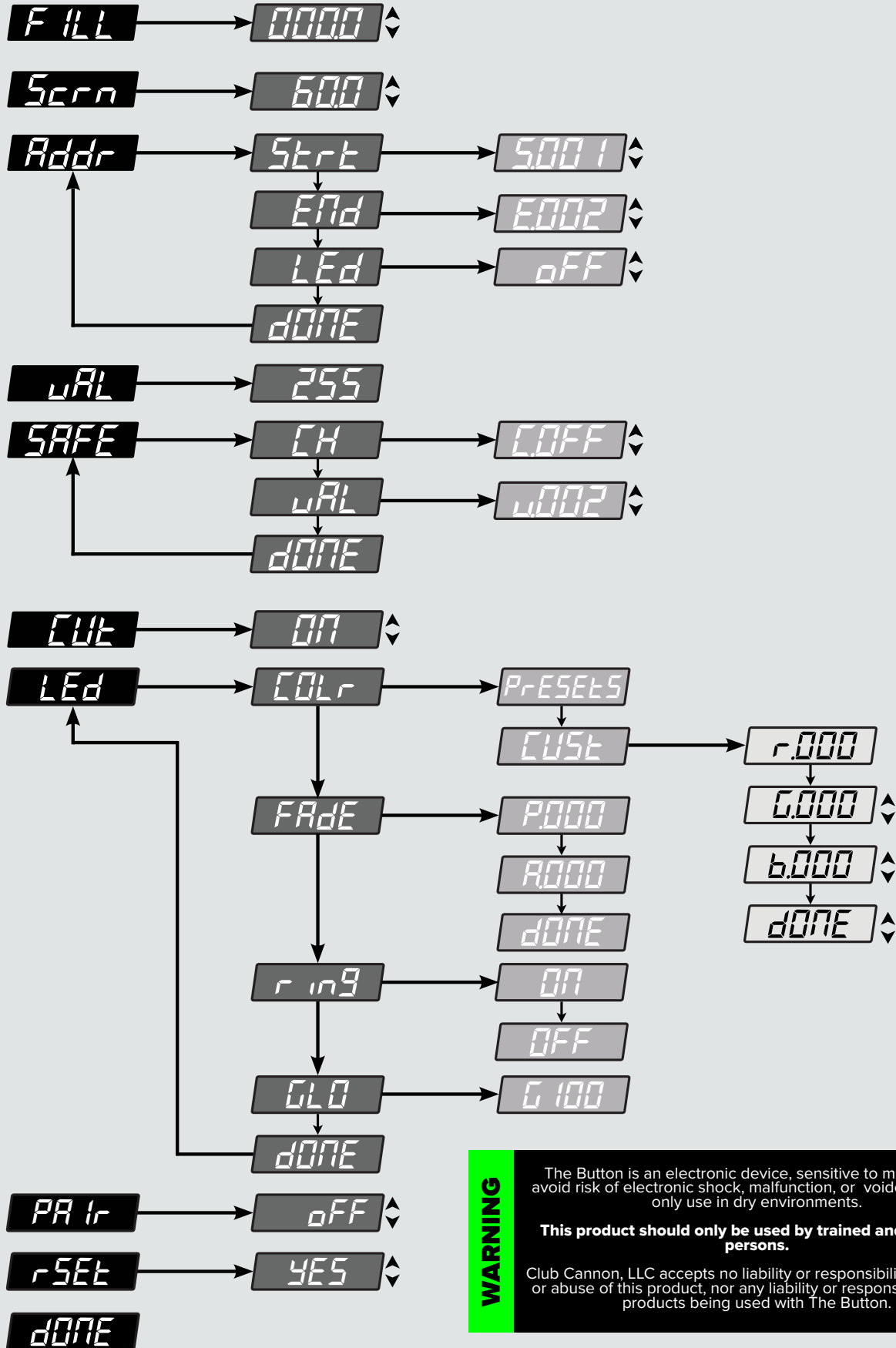
RESET SETTINGS

LED

The reset function will clear all settings & restore to factory defaults.

MENU LAYOUT

WITH KEY DISARMED, USE ROTARY TO CONTROL SYSTEM MENU



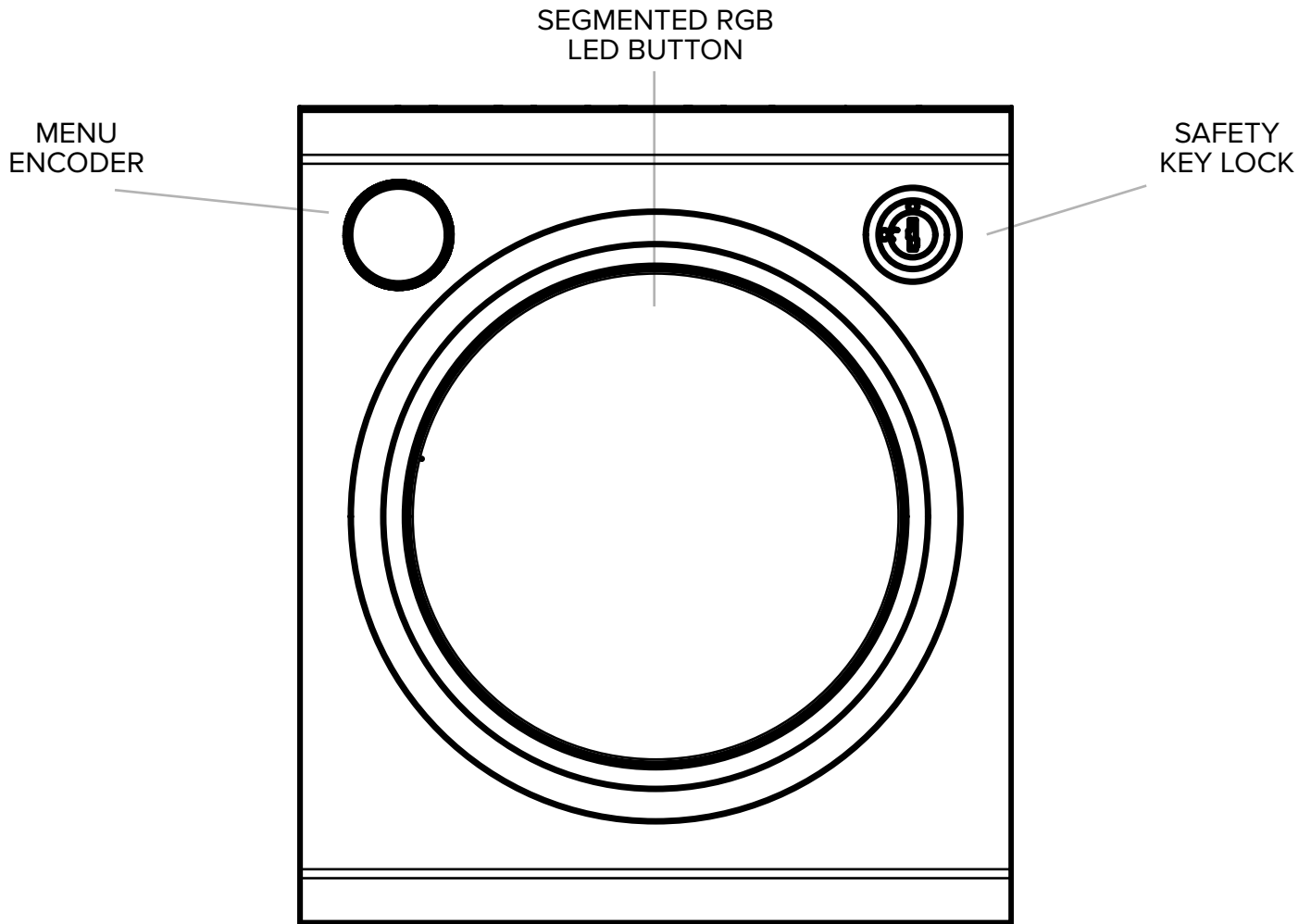
WARNING The Button is an electronic device, sensitive to moisture. To avoid risk of electronic shock, malfunction, or voided warranty, only use in dry environments.

This product should only be used by trained and qualified persons.

Club Cannon, LLC accepts no liability or responsibility for misuse or abuse of this product, nor any liability or responsibility of the products being used with The Button.

HARDWARE OVERVIEW

CONTROLLER TOP



MENU ENCODER

Used for navigation on The Button's menu.

RGB LED BUTTON

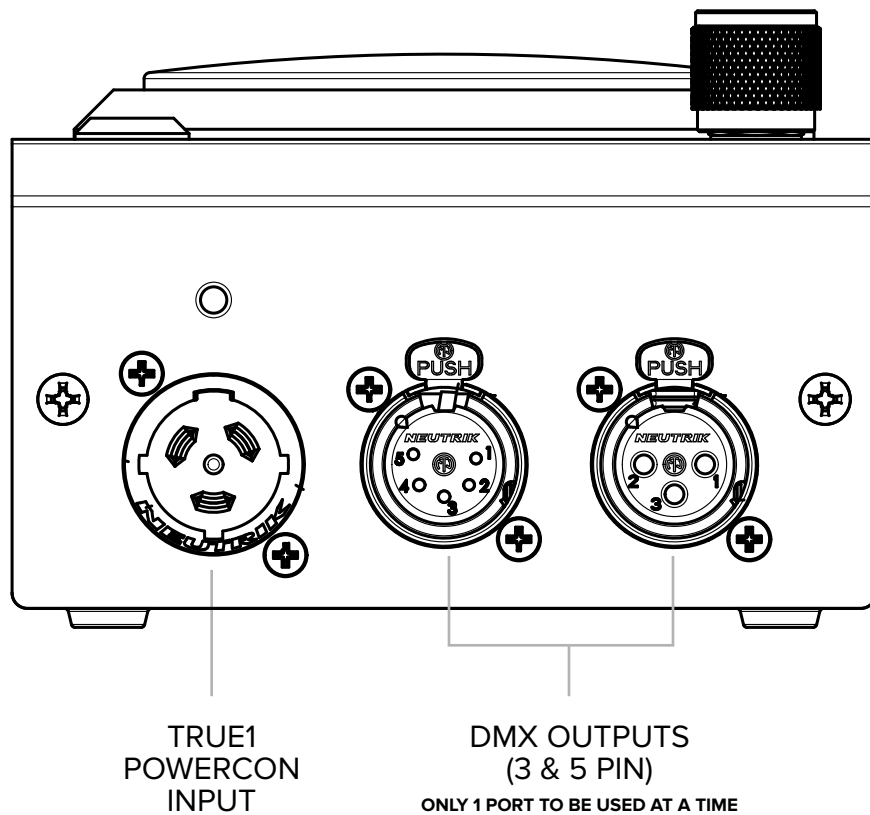
The Button features a segmented RGB LED backlit button that can be customized to suit the operators needs.

SAFETY KEY LOCK

Key lock enables & disables DMX output

HARDWARE OVERVIEW

CONTROLLER REAR



POWER

Controller supports voltage from 110v-240v via True1 PowerCON Input.

DMX

One full universe of optically isolated DMX output. Output is isolated from controller, ports are not isolated from each other. **Avoid using both ports at the same time.**

DEVICE TROUBLESHOOTING



PLEASE NOTE

While The Button is designed to be an easy-to-use solution for DMX control of SFX products, it is recommended to have a basic understanding of how DMX works in order to fully utilize its capabilities.

ISSUE	SOLUTION
Plugged in devices not responding	<ul style="list-style-type: none">• Ensure that the start address of the DMX device is set to the correct DMX address.• Ensure the key is in the on position with the LEDs on the button pulsing.
Key Switch not enabling output	<ul style="list-style-type: none">• Ensure key is in the armed position (facing 12 o'clock)• Inspect for damage to key switch• Reset controller via encoder - $rE5t$• If issue persists, contact Club Cannon.
DMX no longer controlling device	<ul style="list-style-type: none">• Ensure "CUT MODE" is not enabled• Ensure key is in the "ARMED" position (facing 12 o'clock)• Reset controller via encoder - $rE5t$• If issue persists, contact Club Cannon.
LEDs are dim	<ul style="list-style-type: none">• Ensure brightness is set to desired level (0-100%)• Ensure "RING" mode is not enabled.• Reset controller via encoder - $rE5t$• If issue persists, contact Club Cannon.
LED Mode isn't lighting up my fixture.	<ul style="list-style-type: none">• LED mode requires the DMX LED device to have an order of: JET @ Start Address LED @ Start Address + 1• The LED fixture channel order needs to be as follows: CH 1 : Dimmer/Intensity CH 2: Red CH 3: Green CH 4: Blue

No user serviceable parts inside.

If your issue is not listed or the suggested solution did not solve the issue, contact Club Cannon.

Page left blank intentionally.

SAFETY WARNING

To ensure safe operation, user should follow instructions closely. Necessary protocols should be followed when handling and operating Special Effects Equipment and their consumables.

Preventing Serious Injury or Death

CO2 Special Effects are to only to be used in well ventilated areas. Failure to do so may result in oxygen displacement.

Fog machines may set off fire alarm systems. Only use in properly ventilated spaces.

Maintain a safe distance between Special Effects Products and audience, crew & event staff. Generally no less than 15FT.

Never aim projectile Effects directly at any person or living thing.

Always fasten tanks to avoid tipping, rocking, or being tampered with. When feasible, keep tanks out of direct sunlight.

In an emergency situation, utilize the SHOSTARTER's integrated E-STOP. This will set all DMX channels to 0.

Check with officials in local jurisdiction for any permit requirements before operating Special Effects.

WARRANTY

The SHOSTARTER includes a 1 year parts & labor warranty against manufacturer defects. Warranty does not cover damage caused by accident, misuse, abuse, alteration, or unauthorized repair. To make a warranty claim, contact Club Cannon directly.

WARNING



The Button is an electronic device, sensitive to moisture. To avoid risk of electronic shock, malfunction, or voided warranty, only use in dry environments. Do not operate in harsh weather conditions. Do not set beverages of any kind on or around The Button.

This product should only be used by trained and qualified persons.

Club Cannon, LLC accepts no liability or responsibility for misuse or abuse of this product, nor any liability or responsibility of the products being used with the The Button.

CONTACT US



CLUBCANNON®

856 Ricardo Ct, San Luis Obispo, CA 93401

888-804-8175

info@clubcannon.com • www.clubcannon.com